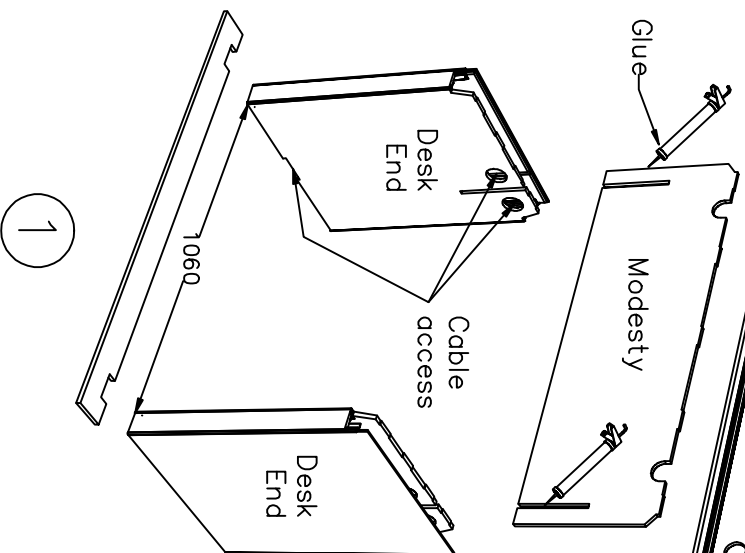
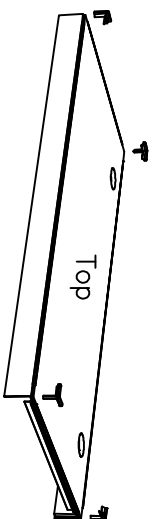
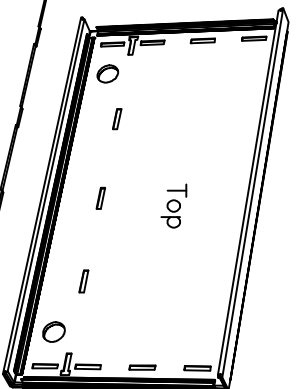


# KINGSTON1206 Assembly Instruction

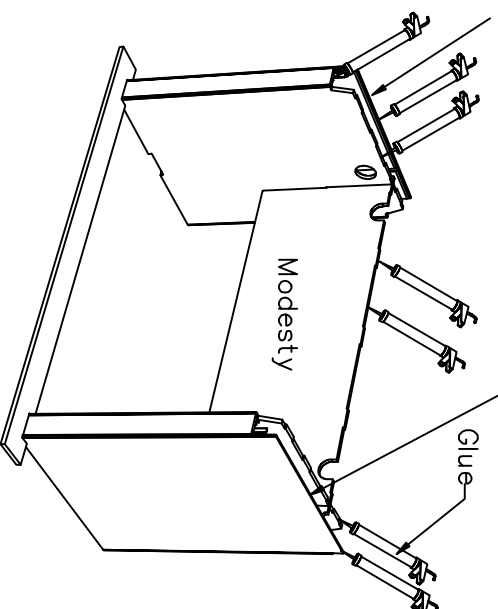


1

Use assembly jig to position two desk ends. Apply glue on both ends and slots of modesty panel. Slide modesty panel into two desk ends to make a leg frame. (Assembly jig is not supplied. Suggested as a concept for volume assembly)

MC12 Groove

MC12 Groove

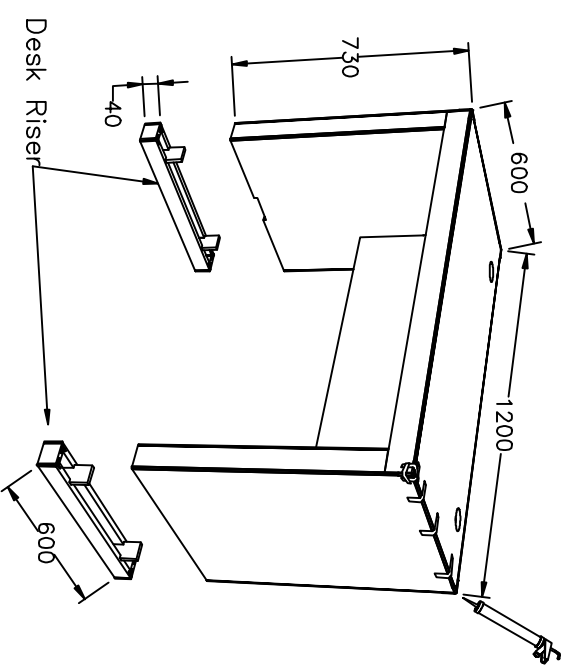


2

Cable can be run inside the desk ends.

3

Apply glue on top of desk ends and modesty panel. (make sure to have sufficient glue in MC12 Groove). Glue top and desk end frame together with MC12 extrusion in place.



4

Apply glue on four corners of desk top. Slide MC3SC into slots at four corners. Use tape to hold tightly corners, top and desk ends until glue is dry.

5

Desk riser able to be added to Junior models as well as regular where additional height desired.