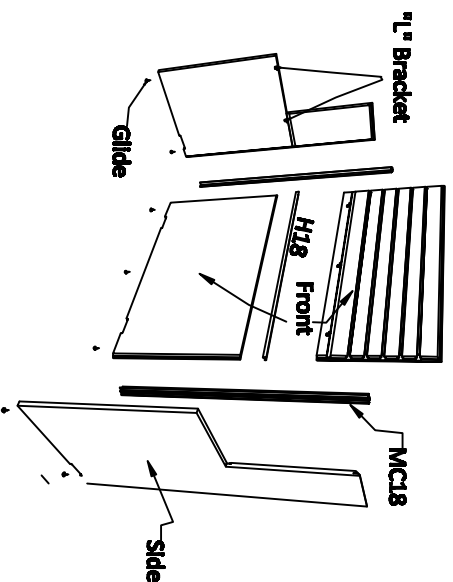
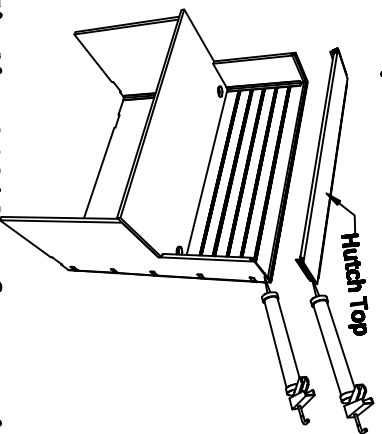


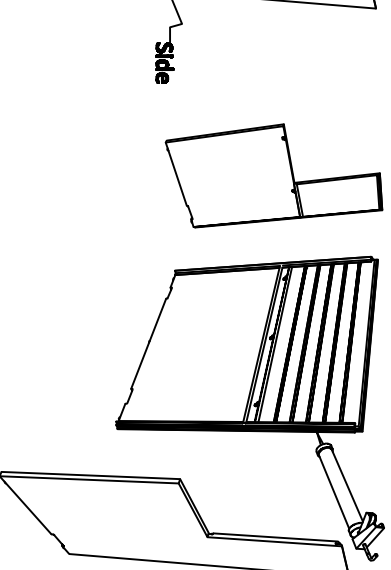
Study Desk (SD1200) Assembly



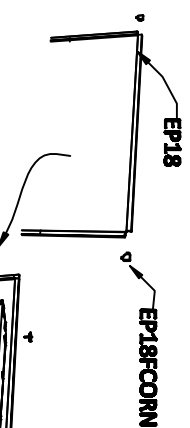
(1) Screw fix 'L' brackets into place using pre drilled guide holes on side and front panels. Knock in nail glides at bottom of these three panels.



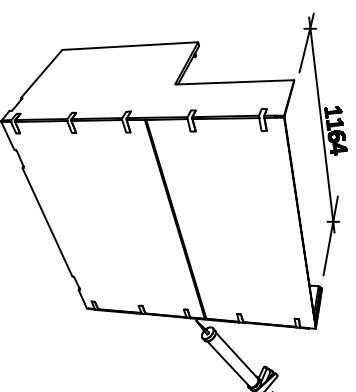
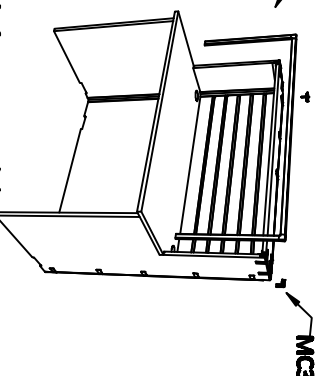
(5) Glue MC18 on front and sides of hutch top. Use the two MC3 corners to allow 32mm for space at both back corners. Allow 5mm for EP18 at front two corners. Apply glue on front and side panels, then lower hutch top into place. Use masking tape to hold until glue dries. Screw fix 'L' brackets to underside of desk top.



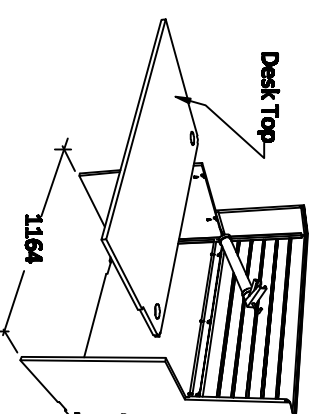
(2) Join two front panels with H18 using glue. Then glue two lengths of MC18 to front panel ensuring it is flush at bottom. This allow 32mm gap at top for MC3.



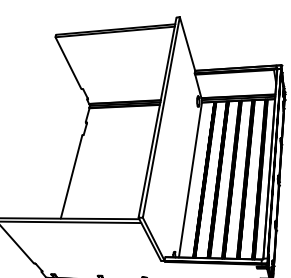
(6) Assemble EP18 capping together using EP18FCORN. Place it in front of desk and tap it in place. Glue and tape MC3 in place.



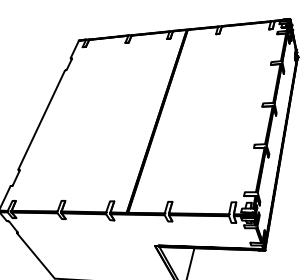
(3) Join front panel and two side panels using glue engaging the MC18. Use masking tape to hold them in place until glue dries. Check the distance at the open side is 1164mm and square.



(4) Apply glue into side slots and front slot, then slide desk top into place. Do not screw fix 'L' brackets from bottom until (5) is complete.



(6) Back View before taking off masking tape



(6) Front View before taking off masking tape